

# Product datasheet

Specifications



Pre assembled and pre cabled indicator bank, Harmony XVM, with buzzer + 2 illuminated units Ø 45 mm, 230 V AC

XVMM2RGSSB

## Main

|                                    |  |
|------------------------------------|--|
| Range of product                   | Harmony XVM  |
| product or component type          | Pre-assembled and pre-cabled indicator bank  |
| Beacon or indicator bank unit type | 2 illuminated units  |
| Component name                     | XVM  |
| Light source                       | Green super bright LED with BA 15d base steady signalling<br>Red super bright LED with BA 15d base steady signalling |
| Light block color                  | Red/green  |
| [Us] rated supply voltage          | 230 V AC   |
| Indicator bank base type           | Base with integrated buzzer  |
| mounting mode                      | Vertical   |

## Complementary

|   |  |
|---|--|
| Kit composition                                     | Plastic fixing plate<br>Cover<br>Aluminium support tube<br>Base unit |
| Mounting diameter                                   | 45 mm  |
| Connections - terminals                             | Flying leads, clamping capacity: 1 x 0.325 mm <sup>2</sup> (AWG 22)  |
| marking   | CE   |
| Mounting support                                    | Aluminium tube   |
| Short-circuit protection                            | 0.2 A  |
| [U <sub>i</sub> ] rated insulation voltage          | 250 V conforming to IEC 60947-1                                      |
| Nominal voltage limit                               | 0.85...1.1 U <sub>n</sub> conforming to IEC 60947-5-1                |
| Current consumption                                 | 18 mA on base unit<br>15 mA on steady LED unit                       |
| [U <sub>imp</sub> ] rated impulse withstand voltage | 4 kV conforming to IEC 60947-1                                       |
| Fundamental frequency                               | 4 kHz  |
| net weight  | 0.404 kg   |

## Environment

|                         |  |
|-------------------------|--|
| IP degree of protection | IP42 vertical position conforming to IEC 60529 |
| Product certifications  | CCC  |
| Standards               | IEC 60947-5-1<br>IEC 60947-1                   |

|  |   |
|--|---|
| <b>Ambient air temperature for storage</b>   | -25...70 °C   |
| <b>Ambient air temperature for operation</b> | -10...50 °C   |
| <b>Overvoltage category</b>                  | Class I conforming to IEC 60947-1<br>Class I conforming to IEC 60947-5-1<br>Class I conforming to IEC 61140 |
| <b>protective treatment</b>                  | TC  |
| <b>Noise level</b>                           | 0...80 dB at 1 m  |

## Packing Units

|                                     |           |
|-------------------------------------|-----------|
| <b>Unit Type of Package 1</b>       | PCE       |
| <b>Number of Units in Package 1</b> | 1         |
| <b>Package 1 Height</b>             | 5.8 cm    |
| <b>Package 1 Width</b>              | 8.5 cm    |
| <b>Package 1 Length</b>             | 54 cm     |
| <b>Package 1 Weight</b>             | 529 g     |
| <b>Unit Type of Package 2</b>       | S04       |
| <b>Number of Units in Package 2</b> | 20        |
| <b>Package 2 Height</b>             | 30 cm     |
| <b>Package 2 Width</b>              | 40 cm     |
| <b>Package 2 Length</b>             | 60 cm     |
| <b>Package 2 Weight</b>             | 11.768 kg |
| <b>Unit Type of Package 3</b>       | P06       |
| <b>Number of Units in Package 3</b> | 80        |
| <b>Package 3 Height</b>             | 75 cm     |
| <b>Package 3 Width</b>              | 40 cm     |
| <b>Package 3 Length</b>             | 80 cm     |
| <b>Package 3 Weight</b>             | 67.32 kg  |

## Contractual warranty

|                 |           |
|-----------------|-----------|
| <b>Warranty</b> | 18 months |
|-----------------|-----------|

## Sustainability

**Green Premium™ label** is Schneider Electric's commitment to delivering products with best-in-class environmental performance. Green Premium promises compliance with the latest regulations, transparency on environmental impacts, as well as circular and low-CO<sub>2</sub> products.

**Guide to assessing product sustainability** is a white paper that clarifies global eco-label standards and how to interpret environmental declarations.

[Learn more about Green Premium >](#)

[Guide to assess a product's sustainability >](#)



Transparency RoHS/REACH

## Well-being performance

Mercury Free

RoHS Exemption Information Yes

## Certifications & Standards

Reach Regulation [REACH Declaration](#)

Eu RoHS Directive Pro-active compliance (Product out of EU RoHS legal scope)

China RoHS Regulation [China RoHS declaration](#)

Environmental Disclosure [Product Environmental Profile](#)

Weee The product must be disposed on European Union markets following specific waste collection and never end up in rubbish bins

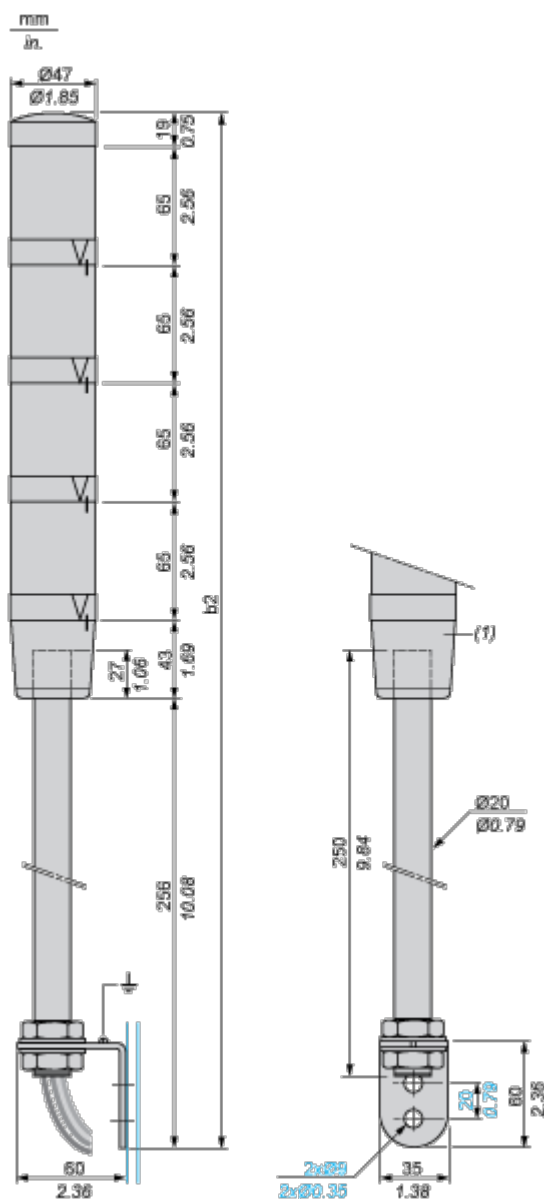
Circularity Profile No need of specific recycling operations

Dimensions Drawings

**Pre-Assembled and Pre-Cabled Tower Light with Fixing Base for Mounting on Vertical Support (Support Tube + Metal Bracket)**

**Dimensions**

Below drawing shows the maximum configuration of the product. Select the number of stages according to the product characteristics in order to get b2 dimension.



(1) Base unit with or without buzzer.

| Number of illuminated units | b2 in mm | b2 in in. |
|-----------------------------|----------|-----------|
| 1 unit                      | 383      | 15.08     |
| 2 units                     | 448      | 17.64     |
| 3 units                     | 513      | 20.20     |
| 4 units                     | 578      | 22.76     |



## Connections and Schema

### Pre-Assembled and Pre-Cabled Tower Light

---

#### **Wire Colors**

4th illuminated unit: yellow wire

3rd illuminated unit: green wire

2nd illuminated unit: white wire

1st illuminated unit: blue wire

Common: black wire

Buzzer (if integrated in base unit): grey wire

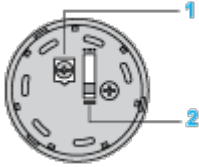
## Technical Description

### Base Unit with Integral Buzzer

---

#### Adjustment of Audible Signal

View from above:



- (1) Volume adjustment potentiometer: 0 to 85 dB. Use either a cross headed or flat tipped screwdriver.
- (2) 2-position selector for type of audible signal: continuous tone or intermittent tone